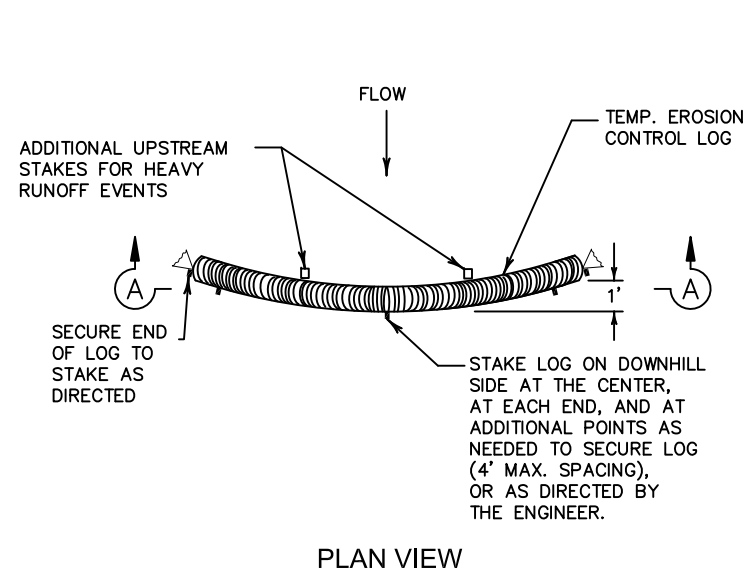
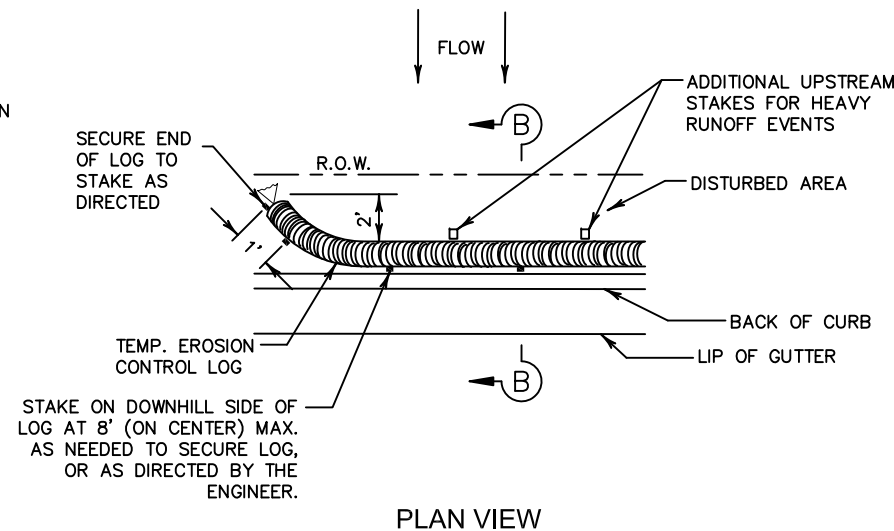


GENERAL NOTES:

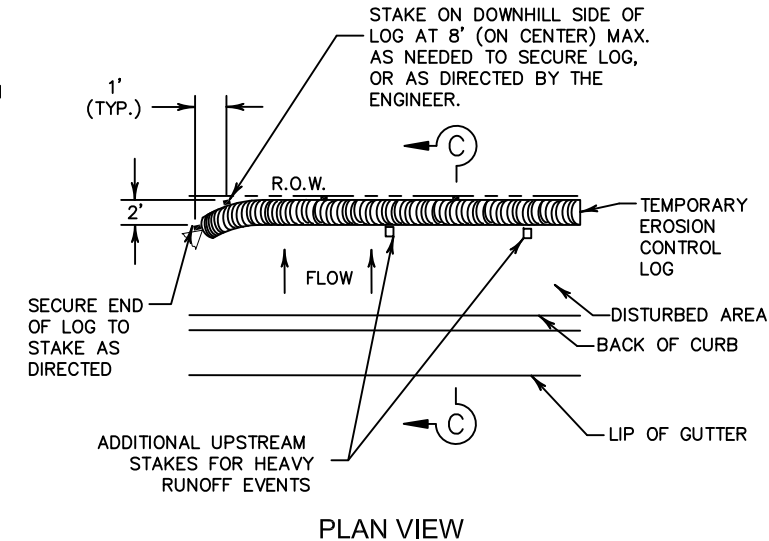
1. EROSION CONTROL LOGS SHALL BE INSTALLED IN ACCORDANCE WITH MANUFACTURER'S RECOMMENDATIONS, OR AS DIRECTED BY THE ENGINEER.
2. LENGTHS OF EROSION CONTROL LOGS SHALL BE IN ACCORDANCE WITH MANUFACTURER'S RECOMMENDATIONS AND AS REQUIRED FOR THE PURPOSE INTENDED.
3. UNLESS OTHERWISE DIRECTED, USE BIODEGRADABLE OR PHOTODEGRADABLE CONTAINMENT MESH ONLY WHERE LOG WILL REMAIN IN PLACE AS PART OF A VEGETATIVE SYSTEM. FOR TEMPORARY INSTALLATIONS, USE RECYCLABLE CONTAINMENT MESH.
4. FILL LOGS WITH SUFFICIENT FILTER MATERIAL TO ACHIEVE THE MINIMUM COMPACTED DIAMETER SPECIFIED IN THE PLANS WITHOUT EXCESSIVE DEFORMATION.
5. STAKES SHALL BE 2" X 2" WOOD OR #3 REBAR, 2'-4' LONG, EMBEDDED SUCH THAT 2" PROTRUDES ABOVE LOG, OR AS DIRECTED BY THE ENGINEER.
6. DO NOT PLACE STAKES THROUGH CONTAINMENT MESH.
7. COMPOST CRADLE MATERIAL IS INCIDENTAL & WILL NOT BE PAID FOR SEPARATELY.
8. SANDBAGS USED AS ANCHORS SHALL BE PLACED ON TOP OF LOGS & SHALL BE OF SUFFICIENT SIZE TO HOLD LOGS IN PLACE.
9. TURN THE ENDS OF EACH ROW OF LOGS UPSLOPE TO PREVENT RUNOFF FROM FLOWING AROUND THE LOG.
10. FOR HEAVY RUNOFF EVENTS, ADDITIONAL UPSTREAM STAKES MAY BE NECESSARY TO KEEP LOG FROM FOLDING IN ON ITSELF.



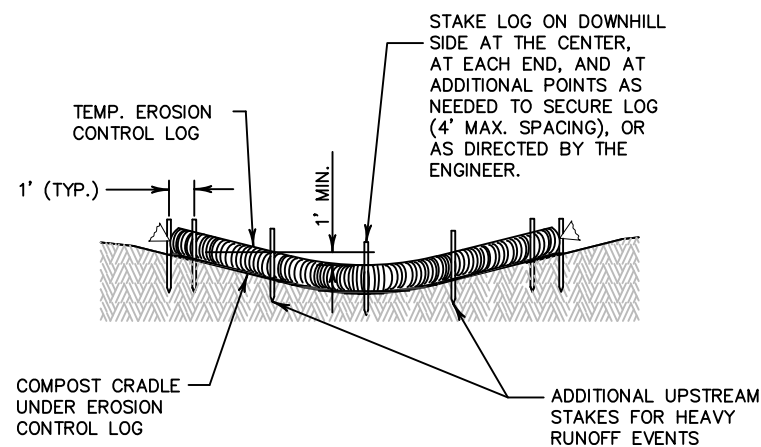
PLAN VIEW



PLAN VIEW

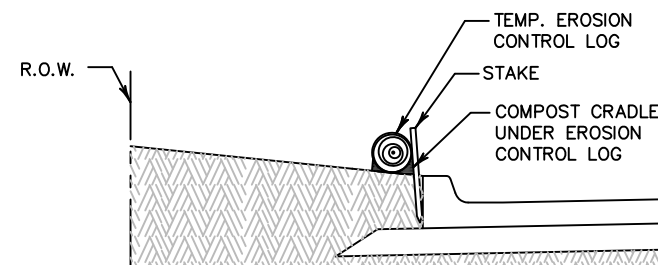


PLAN VIEW



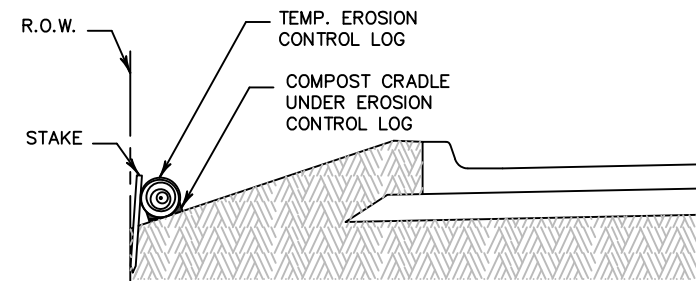
SECTION A-A
EROSION CONTROL LOG DAM

CL-D



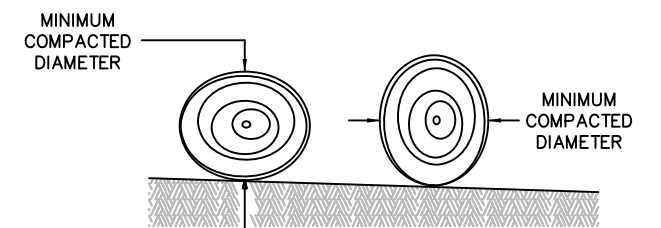
SECTION B-B
EROSION CONTROL LOG AT BACK OF CURB

CL-BOC



SECTION C-C
EROSION CONTROL LOG AT EDGE OF RIGHT-OF-WAY

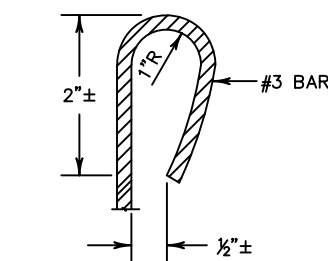
CL-ROW



DIAMETER MEASUREMENTS OF EROSION CONTROL LOGS SPECIFIED IN PLANS

LEGEND

- CL-D EROSION CONTROL LOG DAM
- CL-BOC EROSION CONTROL LOG AT BACK OF CURB
- CL-ROW EROSION CONTROL LOG AT EDGE OF RIGHT-OF-WAY
- CL-SST EROSION CONTROL LOGS ON SLOPES STAKE AND TRENCHING ANCHORING
- CL-SSL EROSION CONTROL LOGS ON SLOPES STAKE AND LASHING ANCHORING
- CL-DI EROSION CONTROL LOG AT DROP INLET
- CL-CI EROSION CONTROL LOG AT CURB INLET
- CL-GI EROSION CONTROL LOG AT CURB & GRATE INLET



REBAR STAKE DETAIL

SEDIMENT BASIN & TRAP USAGE GUIDELINES

An erosion control log sediment trap may be used to filter sediment out of runoff draining from an unstabilized area.

Log Traps: The drainage area for a sediment trap should not exceed 5 acres. The trap capacity should be 1800 CF/Acre (0.5" over the drainage area).

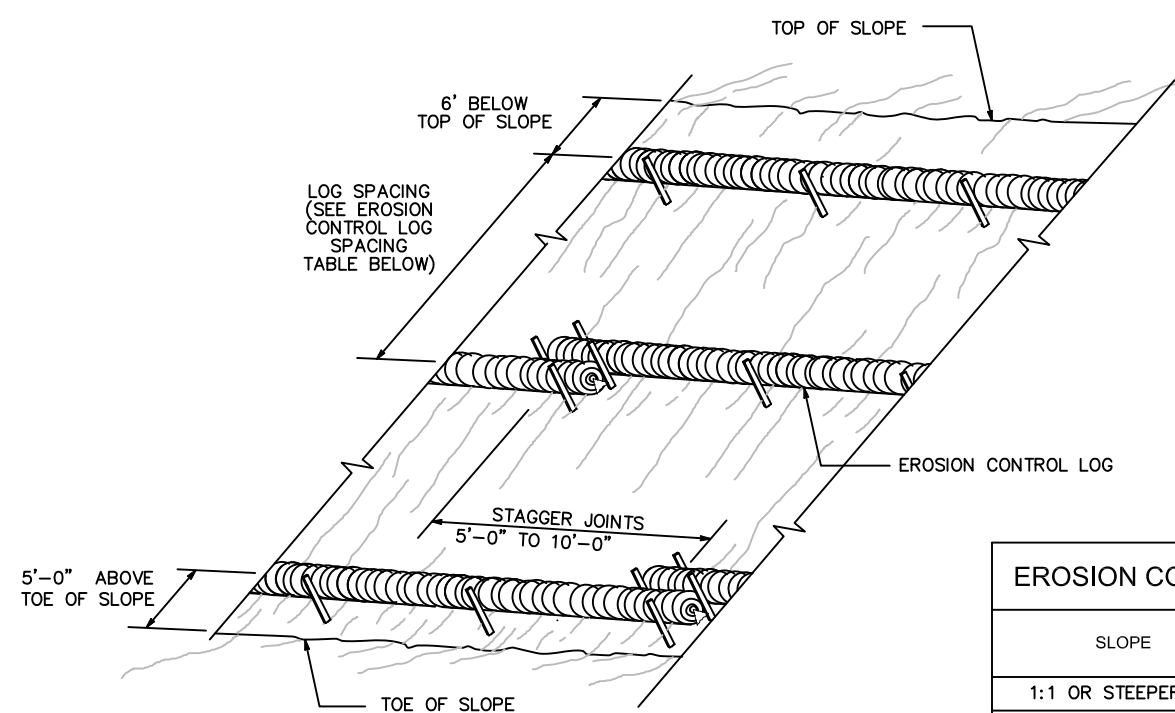
Control logs should be placed in the following locations:

1. Within drainage ditches spaced as needed or min. 500' on center
2. Immediately preceding ditch inlets or drain inlets
3. Just before the drainage enters a water course
4. Just before the drainage leaves the right of way
5. Just before the drainage leaves the construction limits where drainage flows away from the project.

The logs should be cleaned when the sediment has accumulated to a depth of 1/2 the log diameter.

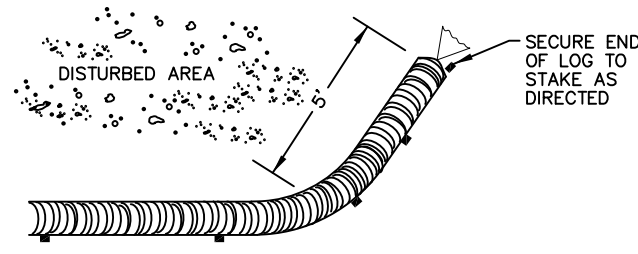
Cleaning and removal of accumulated sediment deposits is incidental and will not be paid for separately.

The City of San Marcos Engineering and Capital Improvements		CURRENT AS OF 1/1/2020
RECORD COPY SIGNED BY LAURIE MOYER, P.E.		1/1/2020 ADOPTED
MULCH SOCK		
THE ARCHITECT/ENGINEER ASSUMES RESPONSIBILITY FOR APPROPRIATE USE OF THIS STANDARD.		STANDARD NO. 648S-1-SM 1 OF 3



**EROSION CONTROL LOGS ON SLOPES
STAKE AND TRENCHING ANCHORING**

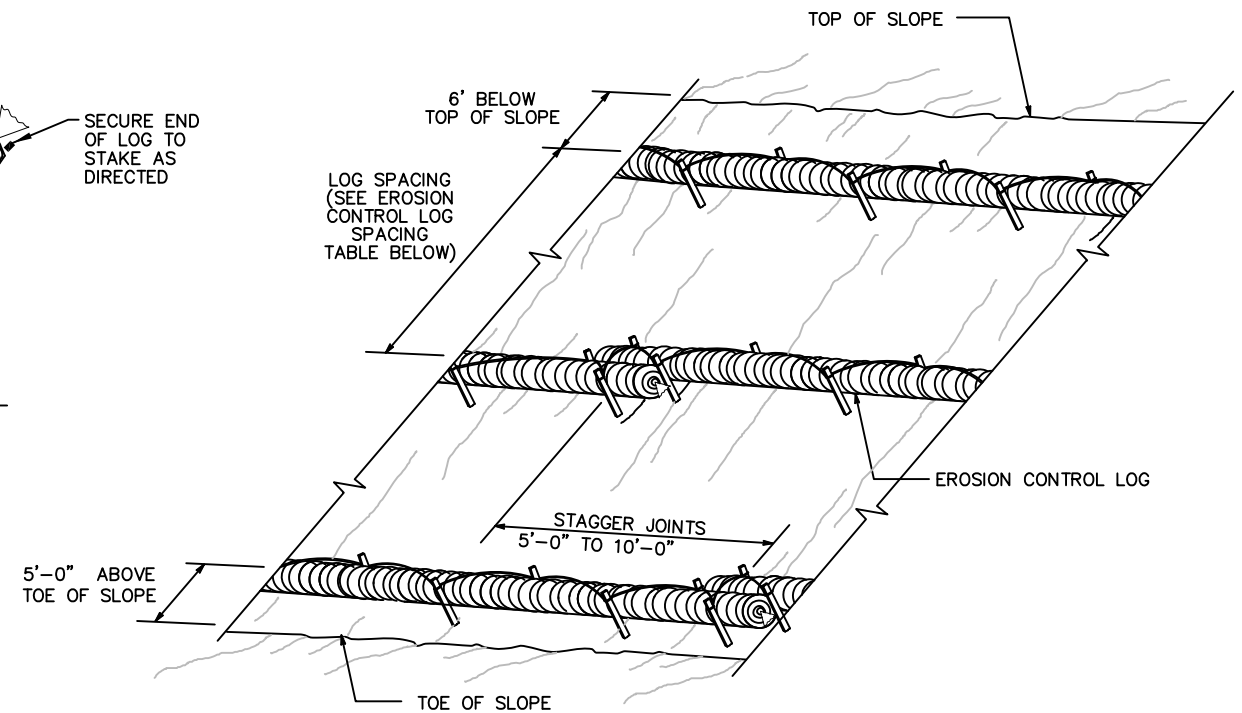
CL-SST



END SECTION RAP DETAIL

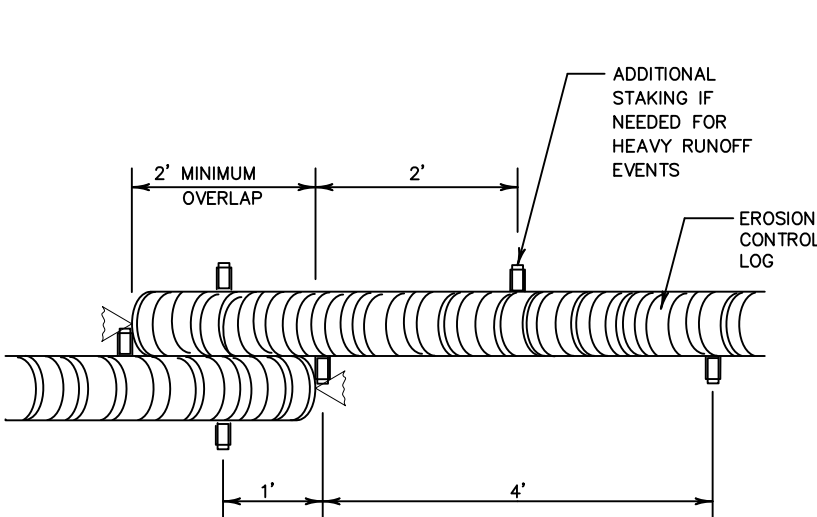
SLOPE	LOG DIAMETER			
	6"	8"	12"	18"
1:1 OR STEEPER	5'	10'	15'	20'
2:1	10'	20'	30'	40'
3:1	15'	30'	45'	60'
4:1 OR FLATTER	20'	40'	60'	80'

* ADJUSTMENTS CAN BE MADE FOR SOIL TYPE:
SOFT, LOAMY SOILS—ADJUST ROWS CLOSER TOGETHER;
HARD, ROCKY SOILS— ADJUST ROWS FARTHER APART



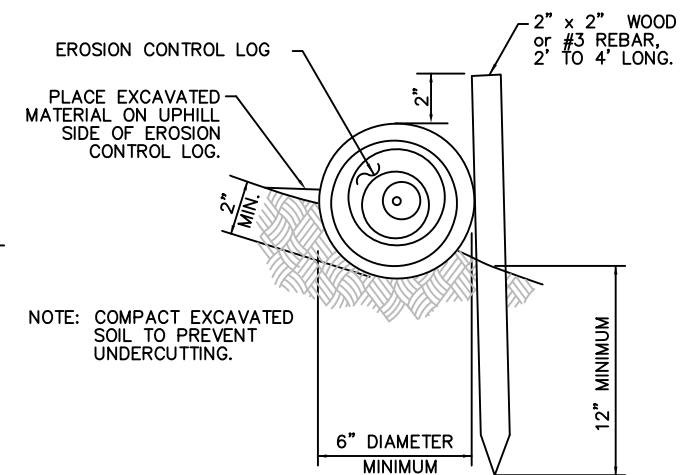
**EROSION CONTROL LOGS ON SLOPES
STAKE AND LASHING ANCHORING**

CL-SSL

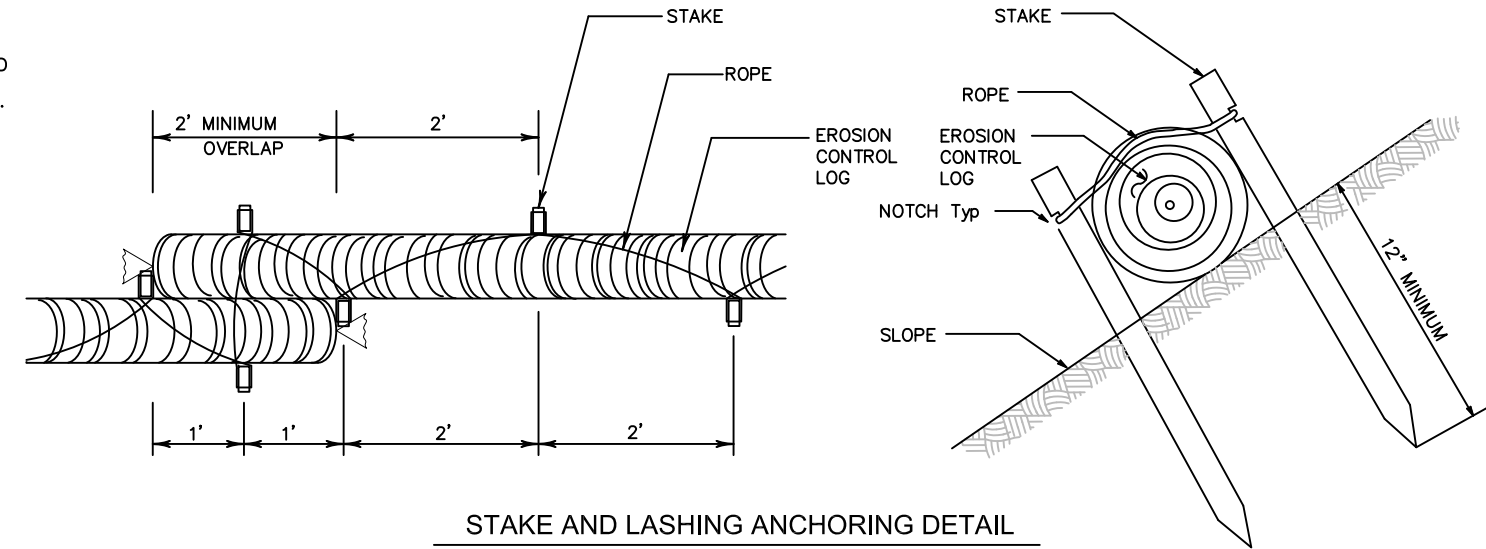


STAKE AND TRENCHING ANCHORING DETAIL

CL-SST



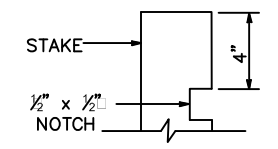
NOTE: COMPACT EXCAVATED SOIL TO PREVENT UNDERCUTTING.



STAKE AND LASHING ANCHORING DETAIL

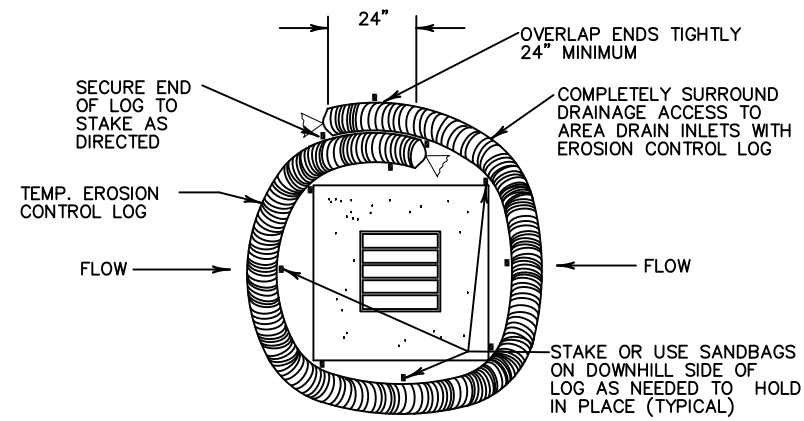
CL-SSL

TRENCH DEPTH TABLE	
LOG DIAMETER	DEPTH
6"	2"
8"	3"
12"	4"
18"	5"



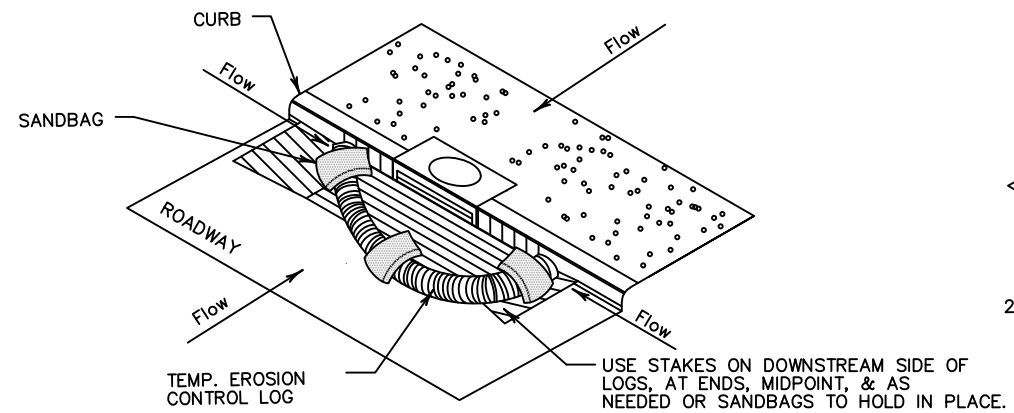
STAKE NOTCH DETAIL

The City of San Marcos Engineering and Capital Improvements		CURRENT AS OF 1/1/2020
RECORD COPY SIGNED BY		1/1/2020
LAURIE MOYER, P.E.		ADOPTED
MULCH SOCK		
THE ARCHITECT/ENGINEER ASSUMES RESPONSIBILITY FOR APPROPRIATE USE OF THIS STANDARD.		STANDARD NO. 648S-1-SM 2 OF 3



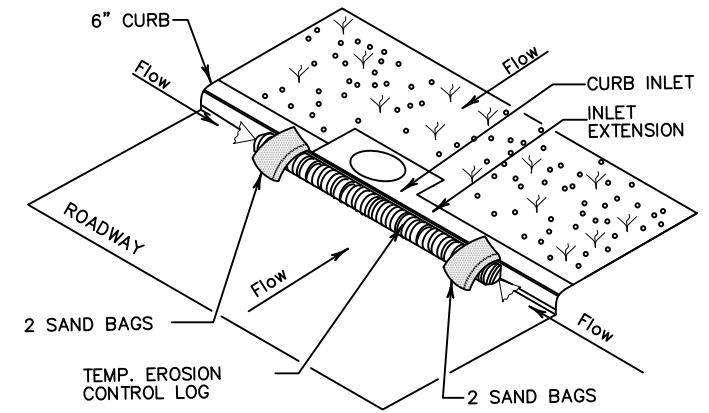
EROSION CONTROL LOG AT DROP INLET

CL-DI



EROSION CONTROL LOG AT CURB INLET

CL-CI

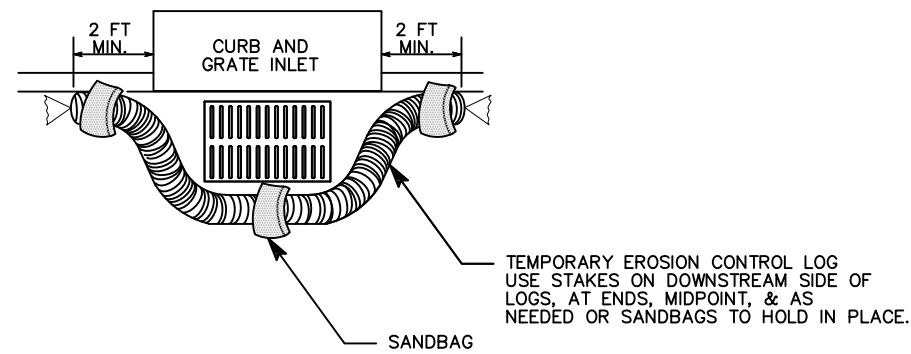


EROSION CONTROL LOG AT CURB INLET

CL-CI

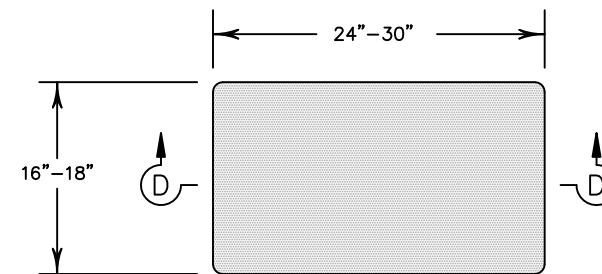
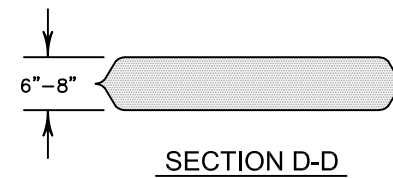
NOTE:

EROSION CONTROL LOGS USED AT CURB INLETS SHOULD ONLY BE USED IF THEY WILL NOT IMPEDE TRAFFIC OR FLOOD THE ROADWAY OR WHEN THE STORM SEWER SYSTEM IS NOT FULLY FUNCTIONAL.



EROSION CONTROL LOG AT CURB & GRADE INLET

CL-GI



SANDBAG DETAIL

The City of San Marcos Engineering and Capital Improvements		CURRENT AS OF 1/1/2020
RECORD COPY SIGNED BY		1/1/2020
LAURIE MOYER, P.E.		ADOPTED
MULCH SOCK		
THE ARCHITECT/ENGINEER ASSUMES RESPONSIBILITY FOR APPROPRIATE USE OF THIS STANDARD.		STANDARD NO. 648S-1-SM 3 OF 3