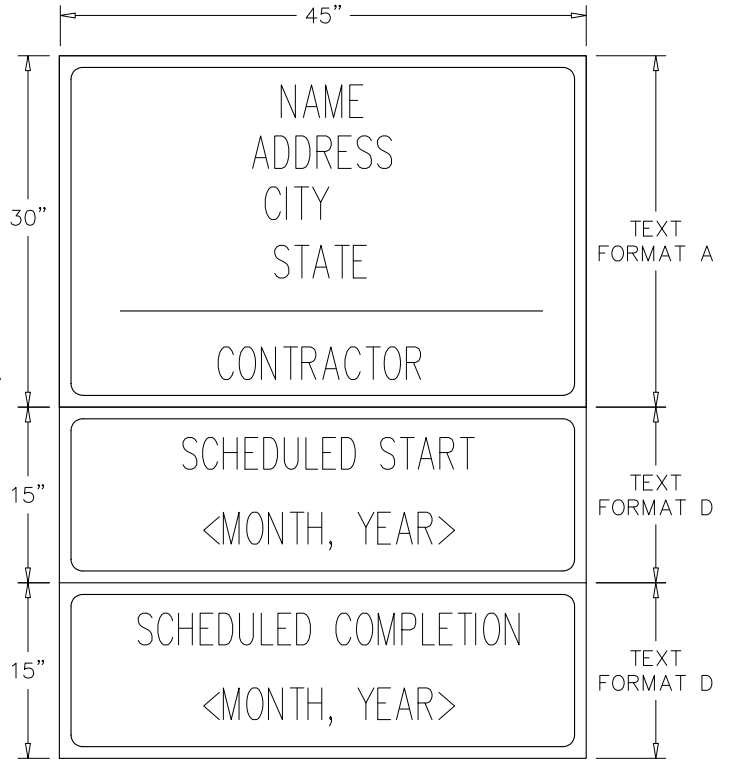
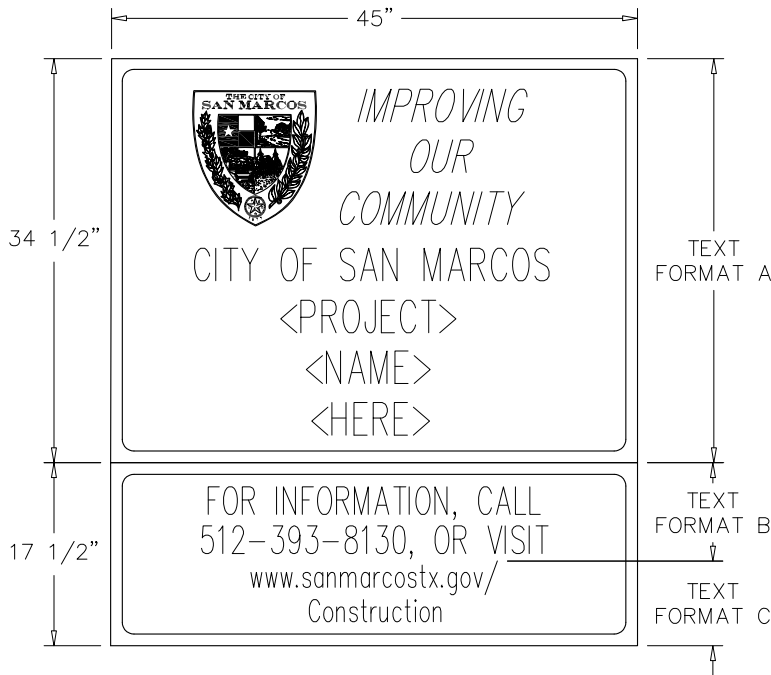


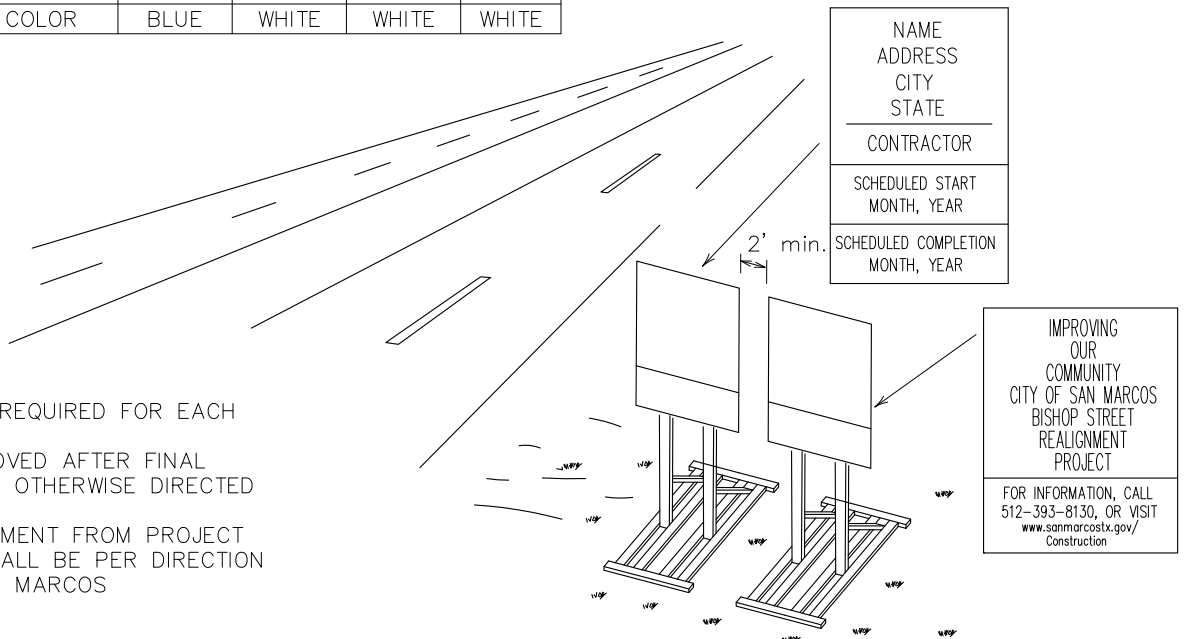
CITY OF SAN MARCOS LOGO
(14" X 14") PROVIDED BY CITY



TEXT FORMAT				
FORMAT TYPE	A	B	C	D
SPACE BETWEEN TEXT AND EDGE OF SIGN TOP AND BOTTOM	2"	2"	2"	3"
TEXT SIZE	3"	2 1/2"	2"	3"
SPACE BETWEEN TEXT	1 1/2"	1 1/2"	1 1/2"	3"
BORDER THICKNESS WITH 1" RADIUS AT CORNERS	1"	1"	1"	1"
BACKGROUND COLOR	WHITE	BLUE	BLUE	BLUE
LEGEND AND BORDER COLOR	BLUE	WHITE	WHITE	WHITE

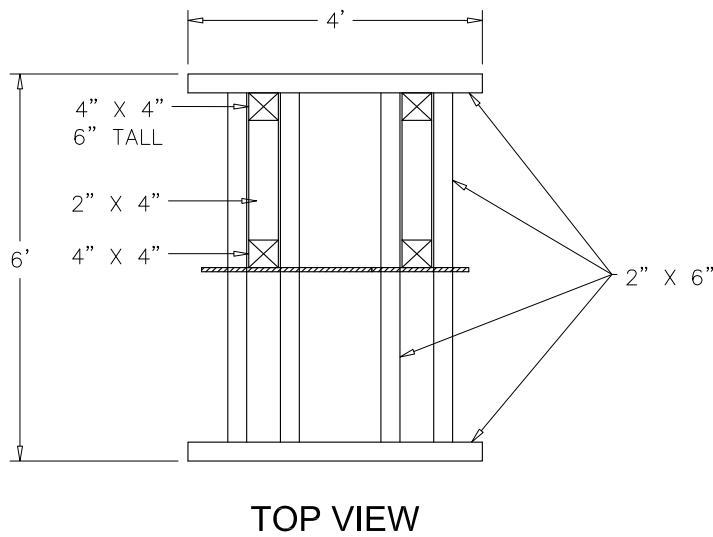
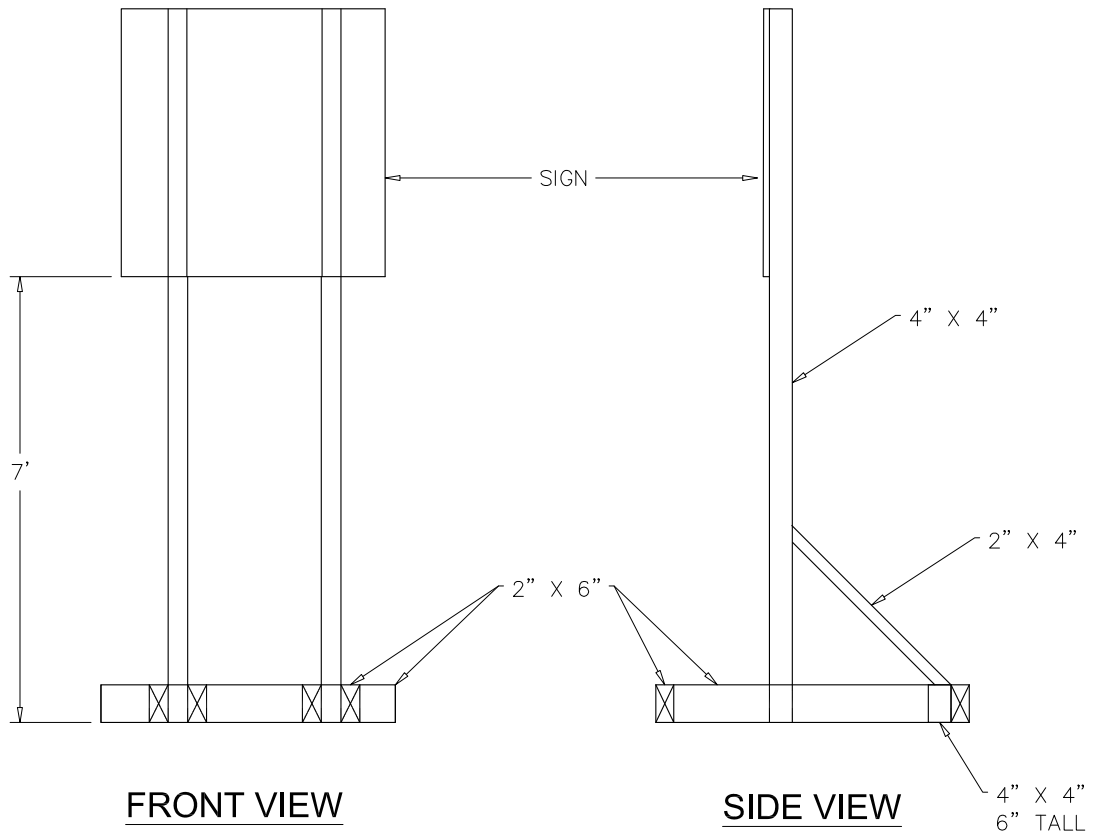
FOR MORE DETAIL ON MOVABLE SIGN SEE SHT 2 OF 2

- NOTES:
- ONE PAIR OF SIGNS REQUIRED FOR EACH POINT OF INGRESS.
 - SIGN SHALL BE REMOVED AFTER FINAL ACCEPTANCE UNLESS OTHERWISE DIRECTED BY OWNER.
 - DIMENSION OF PLACEMENT FROM PROJECT LIMITS AND CURB SHALL BE PER DIRECTION OF THE CITY OF SAN MARCOS



SHT 1 OF 2

The City of San Marcos Engineering and Capital Improvements	CURRENT AS OF 1/1/2020	PROJECT INFORMATION SIGNS	
	RECORDED COPY SIGNED BY LAURIE MOYER, P.E.		3-16-2015 ADOPTED



NOTES:

1. ALL MATERIALS SHALL BE FURNISHED BY THE CONTRACTOR WITH THE EXCEPTION OF THE CITY OF SAN MARCOS SEAL WHICH IS FURNISHED BY THE CITY.
2. LUMBER DIMENSIONS ARE NOMINAL.
3. THE MOVABLE SIGN MUST MEET THE SPECIFICATION FROM THE MANUAL ON UNIFORM TRAFFIC CONTROL DEVICES.

SHT 2 OF 2

The City of San Marcos
Engineering and Capital Improvements

CURRENT AS OF
1/1/2020

PROJECT INFORMATION SIGNS

RECORDED COPY SIGNED BY
LAURIE MOYER, P.E.

3-16-2015
ADOPTED

THE ARCHITECT/ENGINEER ASSUMES
RESPONSIBILITY FOR APPROPRIATE
USE OF THIS STANDARD

802S-2-SM
N.T.S. STANDARD DETAIL