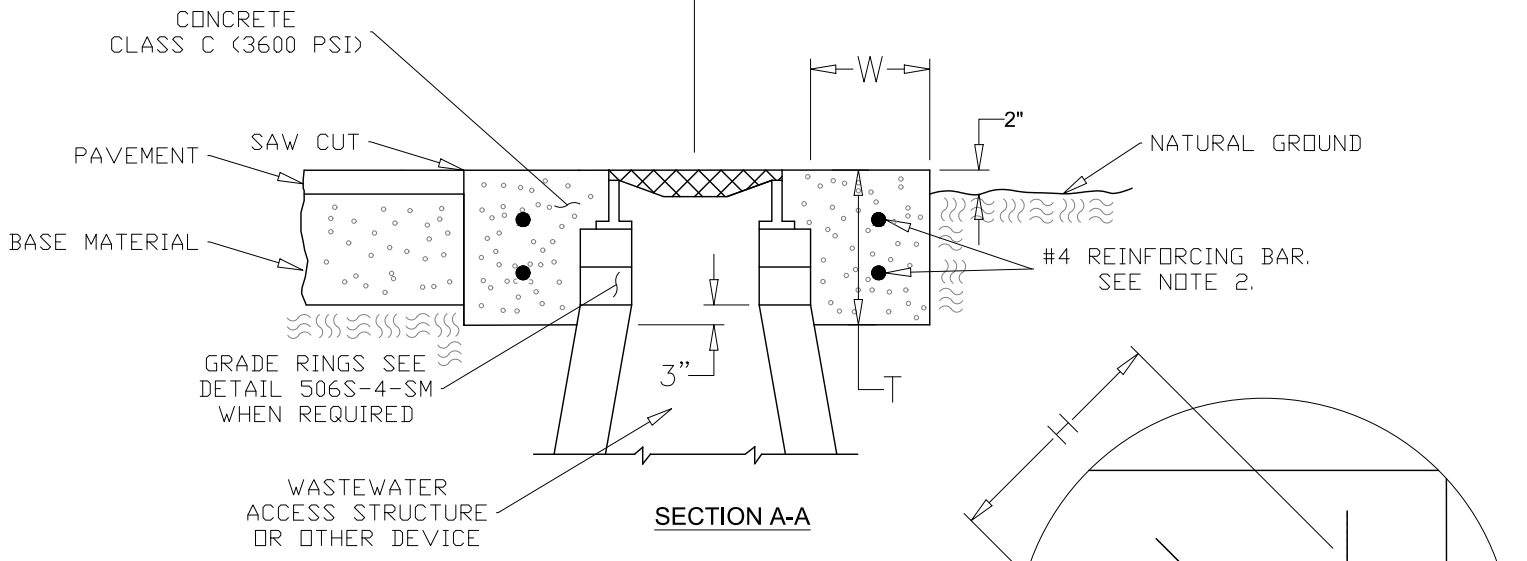
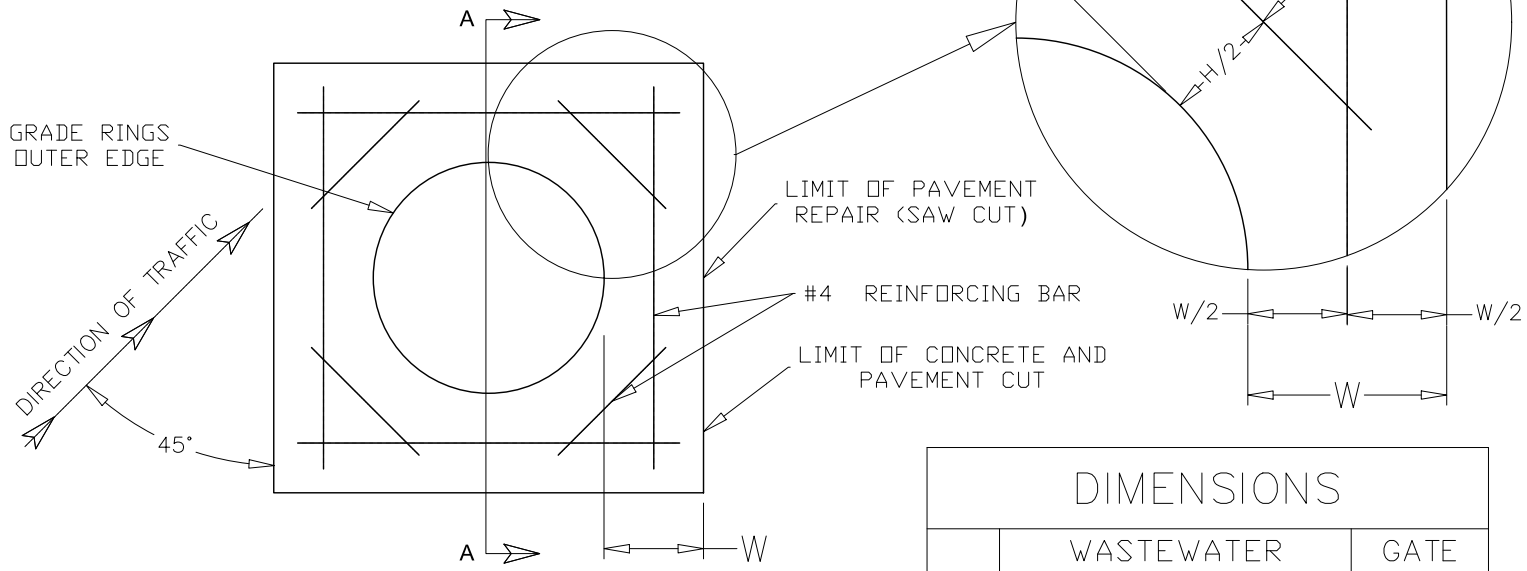


IN PAVEMENT ← → NATURAL GROUND



SECTION A-A



PLAN VIEW

DIMENSIONS		
	WASTEWATER ACCESS STRUCTURE	GATE VALVE
T	3" BELOW TOP OF CONE (9" MIN.)	6"
W	12"	8"

NOTES:

1. THE CONCRETE COLLAR SHALL BE REINFORCED WITH #4 BARS AS SHOWN. THE CONCRETE SHALL EXTEND TO EDGE OF SAW CUT PAVEMENT EDGE.
2. REBAR WILL BE PLACED IN TWO LAYERS. FIRST LAYER (1/3 T) FROM TOP OF COLLAR AND SECOND LAYER (2/3 T) FROM TOP OF COLLAR. IF (T) IS 12" OR LESS ONE LAYER OF REBAR WILL BE USED, PLACED MID POINT BETWEEN TOP AND BOTTOM OF COLLAR.
3. REQUIREMENTS FOR NEW MANHOLE CONSTRUCTION AND MINOR MANHOLE ADJUSTMENTS IN NEW RECONSTRUCTION AND REPAIRING PROJECTS ARE INCLUDED IN DETAIL NO. 506S-3-SM, 506S-8-SM, 506S-8A-SM AND 506S-10-SM.
4. REFER TO TRENCH DETAIL FOR ADDITIONAL BACKFILL REQUIREMENTS WITH APPROPRIATE CONDITIONS.

REFERENCES
DETAIL 506S-4-SM

<p>The City of San Marcos Engineering and Capital Improvements</p>	<p>CURRENT AS OF 1/1/2021</p>	<h1>Concrete Riser Collar</h1>	
		<p>RECORDED COPY SIGNED BY LAURIE MOYER, P.E.</p>	<p>2-15-2015 ADOPTED</p>